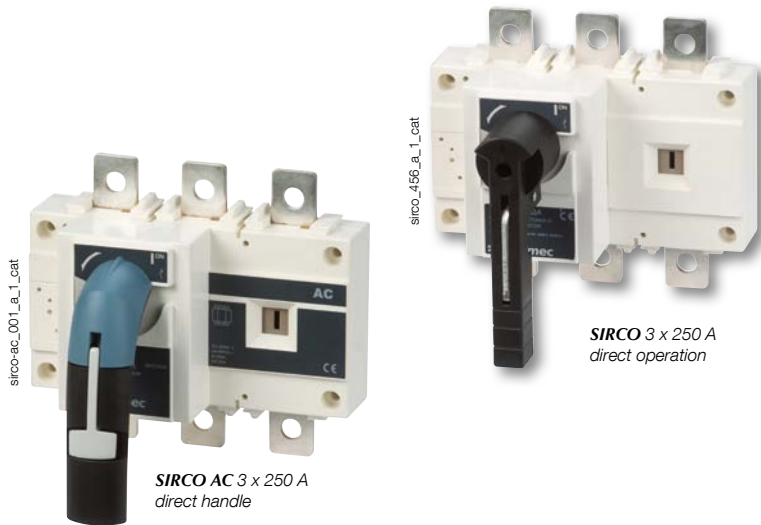




SIRCO

Load break switches for power distribution
from 125 to 5000 A



Function

SIRCO and **SIRCO AC** are manually or remotely operated multipolar load break switches. They make and break under load conditions and provide safe isolation. SIRCO are designed for 415 VAC and DC low voltage electrical circuits. SIRCO AC are designed for heavy duty applications up to 690 VAC - AC 23.

General characteristics

- Double positive break indication given through a position indication window, located directly on the product, and by the operating handle.
- Severe load duty categories (AC-22 and AC-23).
- High resistance to damp heat (supplied "tropicalised").

Advantages

Reliability and performance

The double breaking per pole, achieved through its sliding bar contact system, is a proven design that offers very high durability and short-circuit withstand. Improved breaking performance with quick opening and rapid closure.

Safety of property and personnel

The position indicator is located directly on the sliding bar contact mechanism, ensuring it can be seen in all circumstances.

The use of glass fibre reinforced polyester gives the SIRCO and SIRCO AC both high mechanical and thermal resistance.

Simplicity

The standardisation of the SIRCO and SIRCO AC range and its wide choice of common accessories enable:

- Simple mounting.
- Reduced stock management and storage costs.

Easy to install

The outdoors ranges are easy to install thanks to:

- A good centre-to-centre distance (up to 120 mm).
- Connection up to 6 x 185 mm².
- Connection accessories which facilitate both flat and edgewise connections.

The solution for

- > Main switchboard
- > Distribution panel
- > Emergency breaking
- > Network coupling
- > Local safety breaking



Strong points

- > Reliability and performance
- > Safety of property and personnel
- > Simplicity
- > Easy to install

Compliance with standards

- > IEC 60947-3



Approvals and certifications⁽¹⁾



**BUREAU
VERITAS**

⁽¹⁾ Product reference on request.

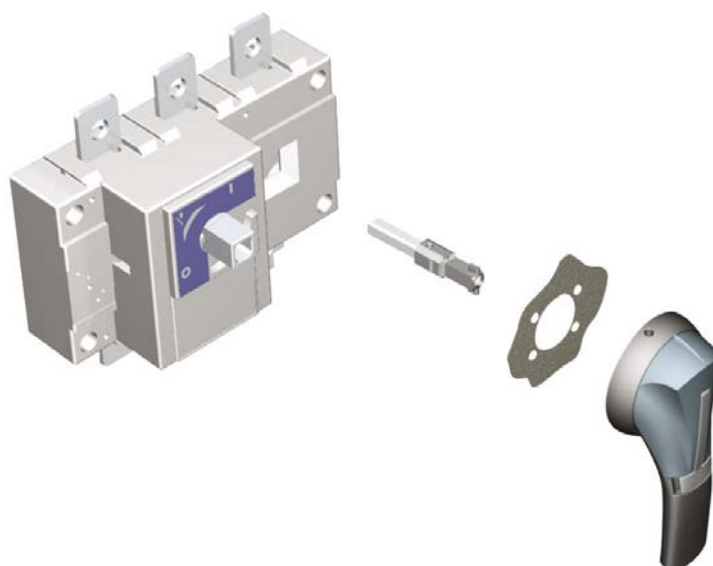
Enclosures

- > The SIRCO and SIRCO AC range can be easily fitted in our enclosures and cabinets designed for electrical distribution.



What you need to know

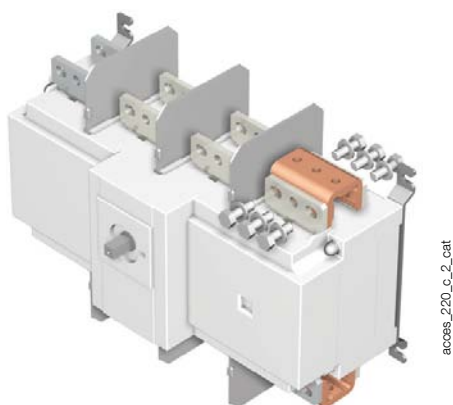
- In front **direct** or **external** operation, SIRCO is available in 3 and 4-pole versions from 125 to 5000 A.
- It can be ordered in 6 or 8-pole versions from 125 to 1600 A.
- SIRCO is available in a polyester or sheet metal enclosure from 125 to 1250 A.



sirco_372_b_1_cat

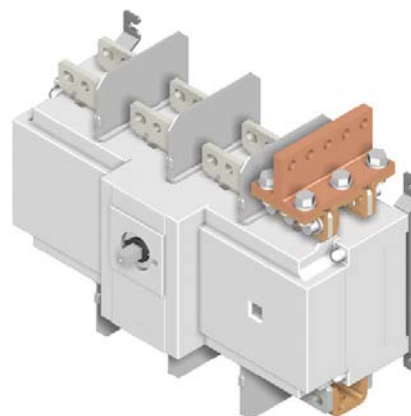
For ratings 2000, 2500 and 3200A, a copper **bar connection kit** enables the connection between the two power terminals of one pole.

Flat connection
top or bottom



access_220_c_2_cat

Edgewise connection
top or bottom



access_223_b_2_cat

SIRCO

Load break switches for power distribution
from 125 to 5000 A

SIRCO - References

Standard applications - Front operation - 3 & 4-pole

Rating (A) / Frame size	No. of poles	Switch body ⁽¹⁾	Direct handle	External handle	Shaft for external handle	Auxiliary contact	Terminal shrouds	Terminal screens
125 A / B3	3 P	2600 3014	B1 type Black 2699 5042 ⁽²⁾ Red 2699 5043				3 P 2694 3014 ⁽³⁾ 4 P 2694 4014 ⁽³⁾	3 P 2698 3012 ⁽³⁾ 4 P 2698 4012 ⁽³⁾
	4 P	2600 4014						
160 A / B3	3 P	2600 3017					3 P 2694 3021 ⁽³⁾ 4 P 2694 4021 ⁽³⁾	3 P 2698 3020 ⁽³⁾ 4 P 2698 4020 ⁽³⁾
	4 P	2600 4017						
200 A / B4	3 P	2600 3021					3 P 2694 3051 ⁽³⁾ 4 P 2694 4051 ⁽³⁾	3 P 2698 3050 ⁽³⁾ 4 P 2698 4050 ⁽³⁾
	4 P	2600 4021						
250 A / B4	3 P	2600 3026		S2 type Black IP55 1421 2111 ⁽²⁾ Black IP65 1423 2111 Red IP65 1424 2111	200 mm 1400 1020 320 mm 1400 1032 ⁽²⁾ 500 mm 1400 1050		3 P 2694 3051 ⁽³⁾ 4 P 2694 4051 ⁽³⁾	3 P 2698 3050 ⁽³⁾ 4 P 2698 4050 ⁽³⁾
	4 P	2600 4026						
315 A / B5	3 P	2600 3032	B2 type Black 2699 5052 ⁽²⁾ Red 2699 5053				3 P 2694 3051 ⁽³⁾ 4 P 2694 4051 ⁽³⁾	3 P 2698 3050 ⁽³⁾ 4 P 2698 4050 ⁽³⁾
	4 P	2600 4032						
400 A / B5	3 P	2600 3041					3 P 2694 3051 ⁽³⁾ 4 P 2694 4051 ⁽³⁾	3 P 2698 3050 ⁽³⁾ 4 P 2698 4050 ⁽³⁾
	4 P	2600 4041						
500 A / B5	3 P	2600 3051					3 P 2694 3051 ⁽³⁾ 4 P 2694 4051 ⁽³⁾	3 P 2698 3050 ⁽³⁾ 4 P 2698 4050 ⁽³⁾
	4 P	2600 4051						
630 A / B5	3 P	2600 3064					3 P 2694 3051 ⁽³⁾ 4 P 2694 4051 ⁽³⁾	3 P 2698 3050 ⁽³⁾ 4 P 2698 4050 ⁽³⁾
	4 P	2600 4064						
800 A / B6	3 P	2600 3081				1 st NO/NC contact 2699 0031 2 nd NO/NC contact 2699 0032	3 P 2698 3080 ⁽³⁾ 4 P 2698 4080 ⁽³⁾	3 P 2698 3080 ⁽³⁾ 4 P 2698 4080 ⁽³⁾
	4 P	2600 4081						
1000 A / B6	3 P	2600 3099					3 P 2698 3080 ⁽³⁾ 4 P 2698 4080 ⁽³⁾	3 P 2698 3080 ⁽³⁾ 4 P 2698 4080 ⁽³⁾
	4 P	2600 4099						
CD 1250 A / B6	3 P	2600 3119		Type S4 Black IP65 1443 3111 ⁽²⁾ Red IP65 1444 3111	200 mm 1401 1520 320 mm 1401 1532 ⁽²⁾ 400 mm 1401 1540		3 P 2698 3120 ⁽³⁾ 4 P 2698 4120 ⁽³⁾	3 P 2698 3120 ⁽³⁾ 4 P 2698 4120 ⁽³⁾
	4 P	2600 4119						
1250 A / B7	3 P	2600 3121	C2 type Black 2799 7012 ⁽²⁾ Red 2799 7013				3 P 2698 3120 ⁽³⁾ 4 P 2698 4120 ⁽³⁾	3 P 2698 3120 ⁽³⁾ 4 P 2698 4120 ⁽³⁾
	4 P	2600 4121						
1600 A / B7	3 P	2600 3161					3 P 2698 3120 ⁽³⁾ 4 P 2698 4120 ⁽³⁾	3 P 2698 3120 ⁽³⁾ 4 P 2698 4120 ⁽³⁾
	4 P	2600 4161						
1800 A / B7	3 P	2600 3181					3 P 2698 3120 ⁽³⁾ 4 P 2698 4120 ⁽³⁾	3 P 2698 3120 ⁽³⁾ 4 P 2698 4120 ⁽³⁾
	4 P	2600 4181						
2000 A / B8	3 P	2600 3200		V2 type Black IP65 2799 7136 ⁽²⁾ Red IP65 2799 7134	200 mm 2799 3015 320 mm 2799 3018 ⁽²⁾ 450 mm 2799 3019		3 P 2698 3200 ⁽³⁾ 4 P 2698 4200 ⁽³⁾	3 P 2698 3200 ⁽³⁾ 4 P 2698 4200 ⁽³⁾
	4 P	2600 4200						
2500 A / B8	3 P	2600 3250					3 P 2698 3200 ⁽³⁾ 4 P 2698 4200 ⁽³⁾	3 P 2698 3200 ⁽³⁾ 4 P 2698 4200 ⁽³⁾
	4 P	2600 4250						
3200 A / B8	3 P	2600 3320					3 P 2698 3200 ⁽³⁾ 4 P 2698 4200 ⁽³⁾	3 P 2698 3200 ⁽³⁾ 4 P 2698 4200 ⁽³⁾
	4 P	2600 4320						
4000 A / B9	3 P	2600 3401	V0 type Black 2799 7072 ⁽²⁾	V0 type Black IP65 2799 7155 ⁽²⁾		1 st /2 nd NO/NC contact included	3 P 2698 3200 ⁽³⁾ 4 P 2698 4200 ⁽³⁾	3 P 2698 3200 ⁽³⁾ 4 P 2698 4200 ⁽³⁾
	4 P	2600 4401						
5000 A / B9	3 P	2600 3500					3 P 2698 3200 ⁽³⁾ 4 P 2698 4200 ⁽³⁾	3 P 2698 3200 ⁽³⁾ 4 P 2698 4200 ⁽³⁾
	4 P	2600 4500						

(1) Device available enclosed (see "Enclosed load break switches" page 726).

(2) Standard.

(3) Top or bottom.

SIRCO AC - References

Heavy duty applications - Front operation 3 & 4 pole

Rating (A) / Frame size	No. of poles	Switch body	Direct handle	External handle	Shaft for external handle	Auxiliary contact	Terminal shrouds	Terminal screens		
200 A / B4	3 P	26AC 3020	J1 type Black 1112 1111 ⁽¹⁾ J1 type Red 1113 1111	S2 type Black IP65 1421 2111 ⁽¹⁾ Black IP65 1423 2111 Red IP65 1424 2111	200 mm 1400 1020 320 mm 1400 1032 ⁽¹⁾ 500 mm 1400 1050		3P 2694 3021 ⁽²⁾⁽³⁾ 4 P 2694 4021 ⁽²⁾⁽³⁾	3P 2698 3020 ⁽³⁾ 4 P 2698 4020 ⁽³⁾		
	4 P	26AC 4020								
250 A / B4	3 P	26AC 3025								
	4 P	26AC 4025								
315 A / B4	3 P	26AC 3031								
	4 P	26AC 4031								
400 A / B5	3 P	26AC 3040								
	4 P	26AC 4040								
500 A / B5	3 P	26AC 3050								
	4 P	26AC 4050								
CD 630 A / B5	3 P	26AC 3063								
	4 P	26AC 4063								
630 A / B6	3 P	26AC 3064	J4 type Black 1142 1111 ⁽¹⁾ Red 1143 1111	S4 type Black IP65 1443 3111 ⁽¹⁾ Red IP65 1444 3111	200 mm 1401 1520 320 mm 1401 1532 ⁽¹⁾ 400 mm 1401 1540	1 st contact NO/NC 2699 0031 2 nd contact NO/NC 2699 0032		3 P 2698 3080 ⁽²⁾⁽³⁾ 4 P 2698 4080 ⁽²⁾⁽³⁾		
	4 P	26AC 4064								
800 A / B6	3 P	26AC 3080								
	4 P	26AC 4080								
1000 A / B6	3 P	26AC 3100								
	4 P	26AC 4100								
CD 1250 A / B6	3 P	26AC 3120								
	4 P	26AC 4120								
1250 A / B7	3 P	26AC 3121								
	4 P	26AC 4121								
1600 A / B7	3 P	26AC 3160								
	4 P	26AC 4160								
2000 A / B8	3 P	26AC 3200			S5 type Black 2799 7042 ⁽¹⁾ Red 2799 7043	S5 type Black IP65 1453 8111 ⁽¹⁾ Red IP65 1454 8111	200 mm 2799 3015 320 mm 2799 3018 ⁽¹⁾ 450 mm 2799 3019			3 P 2698 3200 ⁽²⁾⁽³⁾ 4 P 2698 4200 ⁽²⁾⁽³⁾
	4 P	26AC 4200								
4000 A / B9	3 P	26AC 3400			V0 type Black 2799 7072 ⁽¹⁾	V0 type Black 2799 7155 ⁽¹⁾		1 st / 2 nd included		3/4P 1509 4200 ⁽⁴⁾
	4 P	26AC 4400								

(1) Standard.

(2) Mandatory for voltage greater than 415 VAC.

(3) Top or bottom.

(4) Top and bottom.

SIRCO

Load break switches for power distribution
from 125 to 5000 A

SIRCO - References

Standard applications - Front operation - 6 & 8-pole

Rating (A) / Frame size	No. of poles	Switch body	Direct handle	External handle	Shaft for external handle	Auxiliary contact	Terminal shrouds	Terminal screens
125 A / B3 _{DS}	6 P	2601 6013	Type B3 Black 4199 5012 ⁽¹⁾	S2 type Black IP55 1421 2111 ⁽¹⁾ Red IP65 1424 2111	200 mm 1400 1020 320 mm 1400 1032 ⁽¹⁾		6 P	6 P
	8 P	2601 8013					2694 3014 ⁽²⁾⁽³⁾	1509 3012 ⁽⁴⁾
160 A / B3 _{DS}	6 P	2601 6016					8 P	8 P
	8 P	2601 8016					2694 4014 ⁽²⁾⁽³⁾	1509 4012 ⁽⁴⁾
250 A / B4 _{DS}	6 P	2601 6025					6 P	6 P
	8 P	2601 8025					2694 3021 ⁽²⁾⁽³⁾	1509 3025 ⁽⁴⁾
400 A / B5 _{DS}	6 P	2601 6040	Type C1 Black 2799 7052 ⁽¹⁾ Red 2799 7053	Type S4 Black IP65 1443 3111 ⁽¹⁾ Red IP65 1444 3111	200 mm 1401 1520 320 mm 1401 1532 ⁽¹⁾		8 P	8 P
	8 P	2601 8040					2694 3051 ⁽²⁾⁽³⁾	1509 3063 ⁽⁴⁾
630 A / B5 _{DS}	6 P	2601 6063				1 st NO/NC contact 2699 0061 2 nd NO/NC contact 2699 0062	8 P	8 P
	8 P	2601 8063					2694 4051 ⁽²⁾⁽³⁾	1509 4063 ⁽⁴⁾
800 A / B6 _{DS}	6 P	2601 6080						
	8 P	2601 8080						
1000 A / B6 _{DS}	6 P	2601 6100	C2 type Black 2799 7012 ⁽¹⁾ Red 2799 7013	Type V1 Black IP65 2799 7145 ⁽¹⁾	320 mm 2799 3018 ⁽¹⁾			6 P
	8 P	2601 8100						1509 3080 ⁽⁴⁾
1250 A / B7 _{DS}	6 P	2601 6120						8 P
	8 P	2601 8120						1509 4080 ⁽⁴⁾
1600 A / B7 _{DS}	6 P	2601 6160						6 P
	8 P	2601 8160						1509 3160 ⁽⁴⁾
								8 P
								1509 4160 ⁽⁴⁾

(1) Standard.

(2) Top or bottom on the front or rear of the device.

(3) Select 2 sets for front or rear.

(4) Top or bottom at the front of the device.

Accessories

Direct operation handle

SIRCO direct operation handle				
Rating (A) / Frame size	No. of poles	Handle type	Handle colour	Reference
125 ... 160 / B3	3/4 P	B1	Black	2699 5042 ⁽¹⁾
125 ... 160 / B3	3/4 P	B1	Red	2699 5043
125 ... 160 / B3 _{DS}	6/8 P	B3	Black	4199 5012 ⁽¹⁾
200 ... 630 / B4-B5	3/4 P	B2	Black	2699 5052 ⁽¹⁾
200 ... 630 / B4-B5	3/4 P	B2	Red	2699 5053
250 ... 630 / B4 _{DS} -B5 _{DS}	6/8 P	C1	Black	2799 7052 ⁽¹⁾
250 ... 630 / B4 _{DS} -B5 _{DS}	6/8 P	C1	Red	2799 7053
800 ... 3200 / B6...B8	3/4 P	C2	Black	2799 7012 ⁽¹⁾
800 ... 3200 / B6...B8	3/4 P	C2	Red	2799 7013
800 ... 1600 / B6 _{DS} -B7 _{DS}	6/8 P	C2	Black	2799 7012 ⁽¹⁾
800 ... 1600 / B6 _{DS} -B7 _{DS}	6/8 P	C2	Red	2799 7013
4000 ... 5000 / B9	3/4 P	V0	Black	2799 7072 ⁽¹⁾

(1) Standard.



SIRCO AC direct operation handle				
Rating (A) / Frame size	No. of poles	Handle type	Handle colour	Reference
200 ... CD 630 / B4 ... B5	3/4 P	J1	Black	1112 1111 ⁽¹⁾
200 ... CD 630 / B4 ... B5	3/4 P	J1	Red	1113 1111
630 ... 1600 / B6 ... B7	3/4 P	J4	Black	1142 1111 ⁽¹⁾
630 ... 1600 / B6 ... B7	3/4 P	J4	Red	1143 1111
2000 / B8	3/4 P	S5	Black	2799 7042 ⁽¹⁾
2000 / B8	3/4 P	S5	Red	2799 7043
4000 / B9	3/4 P	V0	Black	2799 7072 ⁽¹⁾

(1) Standard.

Door interlocked external operation handle

SIRCO and SIRCO AC external front operation handle						
Rating (A) / Frame size		No. of poles	Handle type	Handle colour	External IP ⁽¹⁾	Reference
SIRCO	SIRCO AC					
125 ... 630 / B3 ... B5	200 ... CD 630 / B4 ... B5	3/4 P	S2	Black	IP55	1421 2111 ⁽²⁾
				Black	IP65	1423 2111
				Red	IP65	1424 2111
				Black	IP55	1421 2111 ⁽²⁾
125 ... 160 / B3 _{DS}		6/8 P	S2	Black	IP65	1423 2111
				Red	IP65	1424 2111
250 ... 630 / B4 _{DS} -B5 _{DS}		6/8 P	S4	Black	IP65	1443 3111
				Red	IP65	1444 3111
800 ... 1600 / B6 _{DS} -B7 _{DS}		6/8 P	V1	Black	IP65	2799 7145 ⁽²⁾
800 ... 1800 / B6-B7	630 ... 1600 / B6 ... B7	3/4 P	S4	Black	IP65	1443 3111 ⁽²⁾
				Red	IP65	1444 3111
2000 ... 3200 / B8	2000 / B8	3/4 P	V2	Black	IP65	2799 7136 ⁽²⁾
				Red	IP65	2799 7134
				Black	IP65	1453 8111
4000 ... 5000 / B9	4000 / B9	3/4 P	V0	Black	IP65	1454 8111
				Black	IP65	2799 7155 ⁽²⁾

(1) IP: protection degree according to IEC 60529 standard.

(2) Standard.

Use

Door interlocked external operation handles include an escutcheon, are padlockable and must be utilised with an extension shaft.



SIRCO

Load break switches for power distribution
from 125 to 5000 A

Accessories (continued)

Shaft for external operation

For 3/4 pole SIRCO and SIRCO AC

Rating (A) / Frame size		Dimension X (mm)	Length (mm)	Reference
SIRCO	SIRCO AC			
125 ... 160 / B3		125 ... 250	200	1400 1020
		125 ... 300	250	1400 1025
		125 ... 370	320	1400 1032
		125 ... 550	500	1400 1050
		125 ... 850	750	1400 1075
200 ... 250 / B4	200 ... 315 / B4	135 ... 265	200	1400 1020
		135 ... 315	250	1400 1025
		135 ... 385	320	1400 1032
		135 ... 565	500	1400 1050
		135 ... 880	750	1400 1075
315 ... 630 / B5	400 ... CD 630 / B5	165 ... 295	200	1400 1020
		165 ... 345	250	1400 1025
		165 ... 415	320	1400 1032
		165 ... 595	500	1400 1050
800 ... 1800 / B6...B7	630 ... 1600 / B6 ... B7	221 ... 343	200	1401 1520
		221 ... 463	320	1401 1532
		221 ... 543	400	1401 1540
2000 ... 3200 / B8	2000 / B8	415 ... 570	200	2799 3015
		415 ... 690	320	2799 3018
		415 ... 820	450	2799 3019
4000 ... 5000 / B9	4000 / B9	550 ... 680	200	2799 3015
		651 ... 921	320	2799 3018

For 6/8-pole SIRCO

Rating (A) / Frame size	Dimension X (mm)	Length (mm)	Reference
125 ... 160 / B3 _{DS}	270 ... 436	200	1400 1020
125 ... 160 / B3 _{DS}	270 ... 556	320	1400 1032
250 ... 630 / B4 _{DS} -B5 _{DS}	221 ... 308	200	1401 1520
250 ... 630 / B4 _{DS} -B5 _{DS}	221 ... 428	320	1401 1532
250 ... 630 / B4 _{DS} -B5 _{DS}	221 ... 508	400	1401 1540

Use

Standard lengths:

- 200 mm
- 250 mm
- 300 mm
- 400 mm
- 500 mm
- 750 mm

Other lengths available:

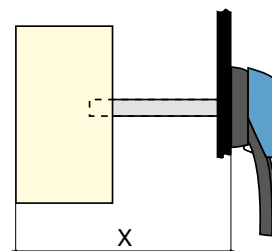
- please consult us.



access_368_a_1_x_cat



access_144_b_1_cat



access_202_a_1_x_cat

Alternative handle cover colours

Use

For S type handles.

Handle colour	To be ordered in multiples of	Handle type	Reference
Light grey	50	S2, S3	1401 0001
Dark grey	50	S2, S3	1401 0011
Light grey	50	S4	1401 0031
Dark grey	50	S4	1401 0041



S type cover

access_198_a_2_cat

S type handle adapter

Use

Adds 12 mm to the depth of the handle.

Handle colour	To be ordered in multiples of	External IP ⁽¹⁾	Reference
Black	1	IP65	1493 0000

(1) IP: protection degree according to IEC 60529 standard.



access_187_a_1_cat

Shaft guide for external operation

Use

For use with S-type handles, to guide the shaft extension into the external handle. This accessory enables the handle to engage the extension shaft with a misalignment of up to 15 mm. Recommended for shaft lengths over 320 mm.



access_260_a_2_cat

Description	Reference
Shaft guide	1429 0000

Auxiliary contact

Use

Pre-break and signalling of positions 0 and I:
- 1 to 2 NO/NC auxiliary contacts.
- 1 to 4 NO+NC auxiliary contacts.
- 1 to 2 low level NO/NC auxiliary contacts.

Characteristics

NO/NC A/C: IP2 with front operation.

Connection to the control circuit

6.35 mm fast-on terminal.

Electrical characteristics

30 000 operations.

NO/NC contact for 3/4 pole SIRCO and SIRCO AC		
Rating (A) / Frame size	Position A/C	Reference
125 ... 3200 / B3 ... B8	1 st	2699 0031
125 ... 3200 / B3 ... B8	2 nd	2699 0032
4000 ... 5000 / B9	1 st /2 nd	included

NO/NC contact for 6/8 pole SIRCO		
Rating (A) / Frame size	Position A/C	Reference
125 ... 1600 / B3 _{DS} ... B7 _{DS}	1 st	2699 0061
125 ... 1600 / B3 _{DS} ... B7 _{DS}	2 nd	2699 0062

NO+NC contact for 3/4 pole SIRCO and SIRCO AC		
Rating (A) / Frame size	Position A/C	Reference
125 ... 3200 / B3 ... B8	1 st	2699 0141
125 ... 3200 / B3 ... B8	2 nd /3 rd /4 th	2699 0142

NO/NC low level contact for 3/4 pole SIRCO and SIRCO AC		
Rating (A) / Frame size	Position A/C	Reference
125 ... 3200 / B3 ... B8	1 st	2699 0301
125 ... 3200 / B3 ... B8	2 nd	2699 0302

Characteristics

Rating (A) / Frame size	Contact type	Current nominal (A)	Operating current I ₀ (A)									
			230 VAC		400 VAC		24 VDC			48 VDC		
			AC-12	AC-13/15	AC-12	AC-13/15	DC-12	DC-13	DC-14	DC-12	DC-13	DC-14
125 ... 3200 / B3 ... B8	NO/NC	16	16	4	12	3	2.5	2.5	1	2.5	1.2	0.2
125 ... 3200 / B3 ... B8	NO + NC	16	16	4	16	3	16	5	1	2.5	1.2	0.2

Inter-phase barrier

Use

Safe isolation between the terminals, essential for use at 690 VAC or in a polluted or dusty atmosphere.

For 3/4 poles SIRCO and SIRCO AC

Rating (A) / Frame size	SIRCO AC	No. of poles	Reference
125 ... 160 / B3		3 P	2998 0033
125 ... 160 / B3		4 P	2998 0034
200 ... 250 / B4	200 ... 315 / B4	3 P	2998 0023
200 ... 250 / B4	200 ... 315 / B4	4 P	2998 0024
315 ... 630 / B5	315 ... CD 360 / B5	3 P	2998 0013
315 ... 630 / B5	315 ... CD 360 / B5	4 P	2998 0014
800 ... 5000 / B6 ... B9	630 ... 4000 / B6 ... B9	3 P	included
800 ... 5000 / B6 ... B9	630 ... 4000 / B6 ... B9	4 P	included



access_036_a_1_cat

SIRCO

Load break switches for power distribution
from 125 to 5000 A

Accessories (continued)

Terminal shrouds

Use

Top or bottom protection against direct contact with terminals or connection parts.

Advantage

Perforations allow remote thermographic inspection without the need to remove the shrouds. The terminal shrouds also provide phase separation for SIRCO and SIRCO AC from 125 to 630 A.



access_077_a_1_cat

For 3/4 poles SIRCO and SIRCO AC

Rating (A) / Frame size		No. of poles	Position	Reference
SIRCO	SIRCO AC			
125 ... 160 / B3		3 P	top or bottom	2694 3014 ⁽¹⁾
125 ... 160 / B3		4 P	top or bottom	2694 4014 ⁽²⁾
200 ... 250 / B4	200 ... 315 / B4	3 P	top or bottom	2694 3021 ⁽¹⁾
200 ... 250 / B4	200 ... 315 / B4	4 P	top or bottom	2694 4021 ⁽²⁾
315 ... 630 / B5	400 ... CD 630 / B5	3 P	top or bottom	2694 3051 ⁽¹⁾
315 ... 630 / B5	400 ... CD 630 / B5	4 P	top or bottom	2694 4051 ⁽²⁾

(1) Reference includes 3 parts for top or bottom protection.
(2) Reference includes 4 parts for top or bottom protection.

For 6/8-pole SIRCO

Rating (A) / Frame size	No. of poles	Position	Reference
125 ... 160 / B3 _{DS}	6 P	Top or bottom	2694 3014 ⁽¹⁾⁽³⁾
125 ... 160 / B3 _{DS}	8 P	Top or bottom	2694 4014 ⁽²⁾⁽³⁾
250 / B4 _{DS}	6 P	Top or bottom	2694 3021 ⁽¹⁾⁽³⁾
250 / B4 _{DS}	8 P	Top or bottom	2694 4021 ⁽²⁾⁽³⁾
400 ... 630 / B5 _{DS}	6 P	Top or bottom	2694 3051 ⁽¹⁾⁽³⁾
400 ... 630 / B5 _{DS}	8 P	Top or bottom	2694 4051 ⁽²⁾⁽³⁾

(1) Reference includes 3 parts for top or bottom protection on the front or rear of the device.
(2) Reference includes 4 parts for top or bottom protection on the front or rear of the device.
(3) Select 2 sets for front or rear.

Distribution block

Use

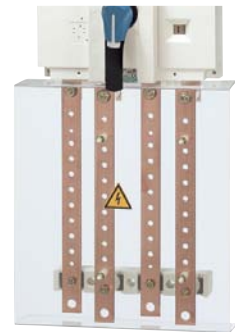
Easy connection of multiple cables, bottom of the SIRCO.

For 3/4-pole SIRCO

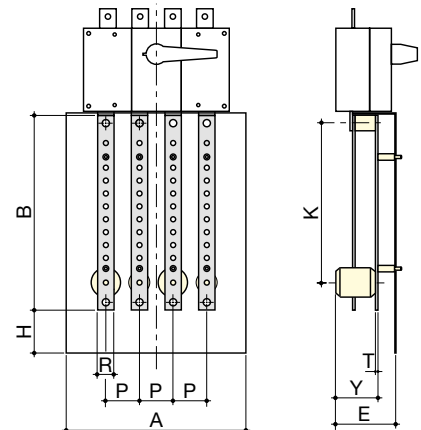
Rating (A) / Frame size	No. of poles	No. of feeders per section (mm ²)	I _{cc} (kA rms) ⁽¹⁾	Reference
160 / B3	3 P	1x95 + 8x25	10	5411 3016
160 / B3	4 P	1x95 + 8x25	10	5411 4016
250 / B4	3 P	1x150 + 8x50	15	5411 3025
250 / B4	4 P	1x150 + 8x50	15	5411 4025
400 / B5	3 P	1x240 + 8x95	21	5411 3040
400 / B5	4 P	1x240 + 8x95	21	5411 4040
630 / B5	3 P	1x300 + 8x150	21	5411 3063
630 / B5	4 P	1x300 + 8x150	21	5411 4063

Dimensions

Rating (A) / Frame size	No. of poles	A	B	T	H	K	P	R	T	Y
160 / B3	3 P	154	286	73	46.5	261.5	36	20	4	54
160 / B3	4 P	190	286	73	46.5	261.5	36	20	4	54
250 / B4	3 P	210	307	83	57.5	279	50	25	4	56
250 / B4	4 P	260	307	83	57.5	279	50	25	4	56
400 / B5	3 P	281	375	116	82.5	340	65	32	5	82
400 / B5	4 P	346	375	116	82.5	340	65	32	5	82
630 / B5	3 P	271	438	117	90.5	410.5	65	40	6	83
630 / B5	4 P	346	438	117	90.5	410.5	65	40	6	83



repair_020_c_2_cat



repair_003_c_1_x_cat

Terminal screens

Use

Top or bottom protection from direct contact with terminals or connection parts.

For 3/4 poles SIRCO and SIRCO AC

Rating (A) / Frame size		No. of poles	Position	Reference
SIRCO	SIRCO AC			
125 ... 160 / B3		3 P	top or bottom	2698 3012
125 ... 160 / B3		4 P	top or bottom	2698 4012
200 ... 250 / B4	200 ... 315 / B4	3 P	top or bottom	2698 3020
200 ... 250 / B4	200 ... 315 / B4	4 P	top or bottom	2698 4020
315 ... 630 / B5	400 ... CD 630 / B5	3 P	top or bottom	2698 3050
315 ... 630 / B5	400 ... CD 630 / B5	4 P	top or bottom	2698 4050
800 ... CD 1250 / B6	630 ... CD 1250 / B6	3 P	top or bottom	2698 3080
800 ... CD 1250 / B6	630 ... CD 1250 / B6	4 P	top or bottom	2698 4080
1250 ... 1800 / B7	1250 ... 1600 / B7	3 P	top or bottom	2698 3120
1250 ... 1800 / B7	1250 ... 1600 / B7	4 P	top or bottom	2698 4120
2000 ... 3200 / B8	2000 / B8	3 P	top or bottom	2698 3200
2000 ... 3200 / B8	2000 / B8	4 P	top or bottom	2698 4200
4000 ... 5000 / B9	4000 / B9	3/4 P	top or bottom	1509 4200



access_079_a_1_cat

For 6/8-pole SIRCO

Rating (A) / Frame size	No. of poles	Position	Reference
125 ... 160 / B3 _{DS}	6 P	Top or bottom	1509 3012
125 ... 160 / B3 _{DS}	8 P	Top or bottom	1509 4012
250 / B4 _{DS}	6 P	Top or bottom	1509 3025
250 / B4 _{DS}	8 P	Top or bottom	1509 4025
400 ... 630 / B5 _{DS}	6 P	Top or bottom	1509 3063
400 ... 630 / B5 _{DS}	8 P	Top or bottom	1509 4063
800 ... 1250 / B6 _{DS} -B7 _{DS}	6 P	Top or bottom	1509 3080
800 ... 1250 / B6 _{DS} -B7 _{DS}	8 P	Top or bottom	1509 4080
1600 / B7 _{DS}	6 P	Top or bottom	1509 3160
1600 / B7 _{DS}	8 P	Top or bottom	1509 4160

Cage terminals

Use

They enable a direct terminal-free connection to rigid copper and aluminium conductors with integration under the IP2X protective cover.

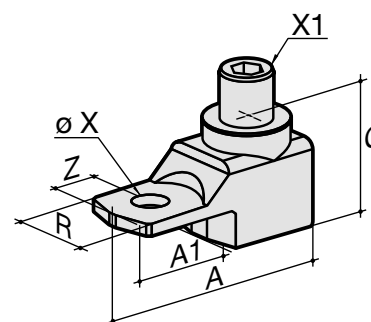
Material: tin-plated aluminium

Dimensions

Rating (A) / Frame size	A	A1	C	T	R	T	ØX	X1	Z
125 ... 160 / B3	47.5	22.5	25	12	20	3.5	8.5	M12	10
200 ... 250 / B4	62	31.5	31.5	16.5	25	2.5	10.5	M16	14
315 ... 400 / B5	71.5	32	38	9	32	5	10.5	M20	15
500 ... 630 / B5	76.5	37	38	9	40	5	12.5	M20	15

References

Rating (A) / Frame size	Tightening capacity (mm ²)	No. of poles	Tightening torque (Nm)	Flexible bar width (mm)	Reference
125 ... 160 / B3	16 ... 95	3 P	14	13	5400 3016
125 ... 160 / B3	16 ... 95	4 P	14	13	5400 4016
200 ... 250 / B4	16 ... 185	3 P	25	18	5400 3025
200 ... 250 / B4	16 ... 185	4 P	25	18	5400 4025
315 ... 400 / B5	50 ... 240	3 P	45	20	5400 3040
315 ... 400 / B5	50 ... 240	4 P	45	20	5400 4040
500 ... 630 / B5	70 ... 300	3 P	45	24	5400 3063
500 ... 630 / B5	70 ... 300	4 P	45	24	5400 4063



born_019_a_1_x_cat

Accessories (continued)

Copper bar connection kits

Use

To allow connection between the two power terminals of the same pole for 2000 to 3200 A ratings (Fig. 1 and Fig 2).

For 3200 A rating, the connection pieces (part A) are delivered bridged as standard.

Bolt sets must be ordered separately.

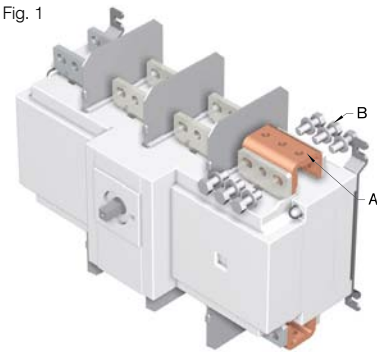
Further details for these specific accessories are available in the user guide downloadable from www.socomec.com.

Top or bottom flat connection - Fig. 1

Rating (A) / Frame size	Part	Quantity to order per pole ⁽¹⁾	Reference
2000 ... 2500 / B8	Connection - part A	1	2619 1200
2000 ... 2500 / B8	Bolt set - part B	1	2699 1200
3200 / B8	Connection - part A		included
3200 / B8	Bolt set - part B	1	2699 1200
4000 ... 5000 / B9	Standard connection		

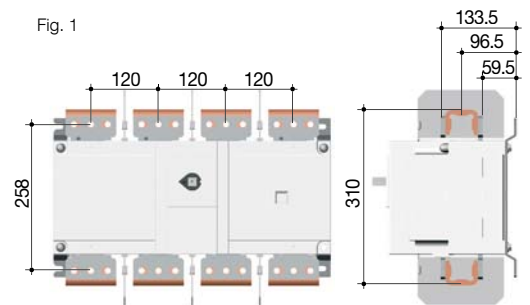
(1) Example for 3-pole device equipped top only: order 3 times the indicated quantity.

Fig. 1



access_220_c_1_x_cat

Fig. 1



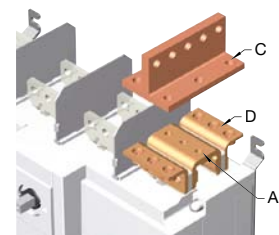
access_224_a_1_cat

Top or bottom edgewise connection - Fig. 2

Rating (A) / Frame size	Part	Quantity to order per pole ⁽¹⁾	Reference
2000 ... 2500 / B8	Connection - part A	1	2619 1200
2000 ... 2500 / B8	T piece - part C	1	2629 1200 ⁽²⁾
2000 ... 2500 / B8	Bracket - part D	1	2639 1200 ⁽²⁾
3200 / B8	Connection - part A		included
3200 / B8	T piece - part C	1	2629 1200
3200 / B8	Bracket - part D	1	2639 1200
4000 ... 5000 / B9	Standard connection		

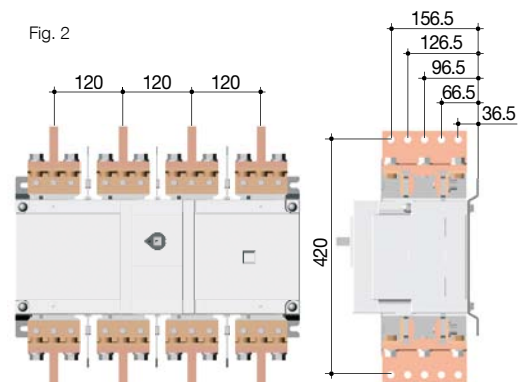
(1) Example for 3-pole device equipped top only: order 3 times the indicated quantity.
(2) Bolt set is provided with the accessories.

Fig. 2



access_222_b_1_x_cat

Fig. 2



access_225_a_1_cat

Key handle interlocking system

Use

Locking in position 0 of the front or side operation handle:

- using a padlock (not supplied) and standard padlocking function of the handle. From 125 to 1800 A, padlocking the external front operation handle provides door interlocking,

- using a lock (not supplied): see diagrams opposite,
- using an undervoltage coil: the SIRCO can only be closed if the coil is energised.

For 6 / 8-pole, please consult us.

For SIRCO

Locking using RONIS EL11AP lock (not supplied)

Rating (A) / Frame size	No. of poles	Operation	Figure	Reference
125 ... 630 / B3 ... B5	3/4 P	Front direct	1	2699 6008 ⁽¹⁾
125 ... 1800 / B3 ... B7	3/4 P	External front	3	1499 7701
800 ... 3200 / B6 ... B8	3/4 P	Front direct	2	2699 6027
1250 ... 5000 / B7 ... B9	3/4 P	External front	4	2799 7002

(1) Front operation handle included.

For SIRCO AC

Locking using RONIS EL11AP lock (not supplied)

Rating (A) / Frame size	No. of poles	Operation	Figure	Reference
200 ... CD 630 / B4 ... B5	3/4 P	Front direct	1	2699 6011 ⁽¹⁾
630 ... 1600 / B6 ... B7	3/4 P	Front direct	2	2699 6028

(1) The locking system is directly mounted on the device.

For SIRCO

Locking using 230 VAC undervoltage coil

(For other voltages, please contact us)

Rating (A) / Frame size	No. of poles	Operation	Reference
125 ... 630 / B3 ... B5	3/4 P	External front	2699 9063 ⁽¹⁾
800 ... 3200 / B6 ... B8	3/4 P	Front direct	2699 9315 ⁽¹⁾

(1) The locking system is directly mounted on the device.

Locking using CASTELL lock (not supplied)

Rating (A) / Frame size	No. of poles	Handle type	Lock type	Operation	Figure	Reference
125 ... 160 / B3	6/8 P	S2	K	External front	2	4109 8507
125 ... 1 800 / B3 ... B8	3/4 P	S2, S4	FS	External front	3	1499 7703
125 ... 1 800 / B3 ... B8	3/4 P	S2, S4	K	External front	3	1499 7702
250 ... 630 / B4 ... B5	6/8 P	S4	K	External front	2	2999 8707
800 ... 1 600 / B6 ... B7	6/8 P	S5	K	External front	2	2799 7003
1 250 ... 4 000 / B7 ... B9	3/4 P	S5, S0	K	External front	2	2799 7003

Fig. 1

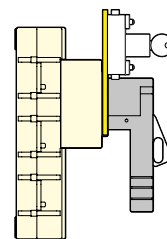


Fig. 3

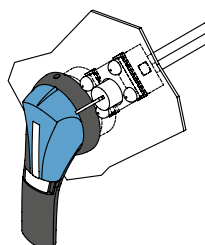


Fig. 2

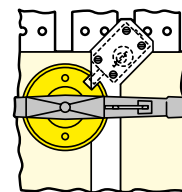
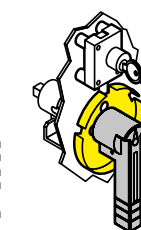


Fig. 4



Other specific accessories



- Mechanical coupling device for making switches with "n" poles of the same or different ratings
- Mechanical interlocking device

SIRCO characteristics according to IEC 60947-3

125 to 800 A

Thermal current I_{th} at 40°C	125 A	160 A	200 A	250 A	315 A	400 A	500 A	630 A	800 A
Frame size	B3	B3	B4	B4	B5	B5	B5	B5	B6
Rated insulation voltage U_i (V)	800	800	800	800	1000	1000	1000	1000	1000
Rated impulse withstand voltage U_{imp} (kV)	8	8	8	8	12	12	12	12	12

Rated operational currents I_e (A)

Rated voltage	Utilisation category	A / B ⁽¹⁾	A / B ⁽¹⁾	A / B ⁽¹⁾	A / B ⁽¹⁾	A / B ⁽¹⁾	A / B ⁽¹⁾	A / B ⁽¹⁾	A / B ⁽¹⁾	A / B ⁽¹⁾
415 VAC	AC-20 A / AC-20 B	125 / 125	160 / 160	200 / 200	250 / 250	315 / 315	400 / 400	500 / 500	630 / 630	800 / 800
415 VAC	AC-21 A / AC-21 B	125 / 125	160 / 160	200 / 200	250 / 250	315 / 315	400 / 400	500 / 500	630 / 630	800 / 800
415 VAC	AC-22 A / AC-22 B	125 / 125	160 / 160	200 / 200	250 / 250	315 / 315	400 / 400	500 / 500	630 / 630	800 / 800
415 VAC	AC-23 A / AC-23 B	125 / 125	160 / 160	200 / 200	250 / 250	315 / 315	400 / 400	500 / 500	500 / 500	800 / 800
220 VDC	DC-20 A / DC-20 B	125 / 125	160 / 160	200 / 200	250 / 250	315 / 315	400 / 400	500 / 500	630 / 630	800 / 800
220 VDC	DC-21 A / DC-21 B	125 / 125	160 / 160	160 / 200	250 / 250	315 / 315	400 / 400	500 / 500	630 / 630	800 / 800
220 VDC	DC-22 A / DC-22 B	125 / 125	160 / 160	160 / 200	250 / 250	315 / 315	400 / 400	400 / 500	500 / 500	800 / 800
220 VDC	DC-23 A / DC-23 B	125 / 125	125 / 125	160 / 160	200 / 200	315 / 315	400 / 400	400 / 400	500 / 500	800 / 800
440 VDC	DC-20 A / DC-20 B	125 / 125	160 / 160	200 / 200	250 / 250	315 / 315	400 / 400	500 / 500	630 / 630	800 / 800
440 VDC	DC-21 A / DC-21 B	125 ⁽³⁾ / 125 ⁽³⁾	160 ⁽³⁾ / 160 ⁽³⁾	160 ⁽³⁾ / 200 ⁽³⁾	200 ⁽³⁾ / 200 ⁽³⁾	315 ⁽³⁾ / 315 ⁽³⁾	400 ⁽³⁾ / 400 ⁽³⁾	400 ⁽³⁾ / 400 ⁽³⁾	500 ⁽³⁾ / 500 ⁽³⁾	800 ⁽⁴⁾ / 800 ⁽⁴⁾
440 VDC	DC-22 A / DC-22 B	125 ⁽³⁾ / 125 ⁽³⁾	125 ⁽³⁾ / 125 ⁽³⁾	160 ⁽³⁾ / 160 ⁽³⁾	200 ⁽³⁾ / 200 ⁽³⁾	315 ⁽³⁾ / 315 ⁽³⁾	400 ⁽³⁾ / 400 ⁽³⁾	400 ⁽³⁾ / 400 ⁽³⁾	500 ⁽³⁾ / 500 ⁽³⁾	800 ⁽⁴⁾ / 800 ⁽⁴⁾
440 VDC	DC-23 A / DC-23 B	125 ⁽⁴⁾ / 125 ⁽⁴⁾	125 ⁽⁴⁾ / 125 ⁽⁴⁾	160 ⁽⁴⁾ / 160 ⁽⁴⁾	200 ⁽⁴⁾ / 200 ⁽⁴⁾	315 ⁽⁴⁾ / 315 ⁽⁴⁾	400 ⁽⁴⁾ / 400 ⁽⁴⁾	400 ⁽⁴⁾ / 400 ⁽⁴⁾	500 / 500	800 ⁽⁴⁾ / 800 ⁽⁴⁾
500 VDC	DC-20 A / DC-20 B	125 / 125	160 / 160	200 / 200	250 / 250	315 / 315	400 / 400	500 / 500	630 / 630	800 / 800
500 VDC	DC-21 A / DC-21 B	125 ⁽³⁾ / 125 ⁽³⁾	125 ⁽³⁾ / 125 ⁽³⁾	160 ⁽³⁾ / 200 ⁽³⁾	200 ⁽³⁾ / 200 ⁽³⁾	315 ⁽³⁾ / 315 ⁽³⁾	400 ⁽³⁾ / 400 ⁽³⁾	400 ⁽³⁾ / 400 ⁽³⁾	500 ⁽³⁾ / 500 ⁽³⁾	800 ⁽⁴⁾ / 800 ⁽⁴⁾
500 VDC	DC-22 A / DC-22 B	125 ⁽⁴⁾ / 125 ⁽⁴⁾	125 ⁽⁴⁾ / 125 ⁽⁴⁾	160 ⁽⁴⁾ / 160 ⁽⁴⁾	200 ⁽⁴⁾ / 200 ⁽⁴⁾	315 ⁽⁴⁾ / 315 ⁽⁴⁾	315 ⁽⁴⁾ / 400 ⁽⁴⁾	315 ⁽⁴⁾ / 400 ⁽⁴⁾	500 ⁽⁴⁾ / 500 ⁽⁴⁾	800 ⁽⁴⁾ / 800 ⁽⁴⁾
500 VDC	DC-23 A / DC-23 B	125 ⁽⁴⁾ / 125 ⁽⁴⁾	125 ⁽⁴⁾ / 125 ⁽⁴⁾	160 ⁽⁴⁾ / 160 ⁽⁴⁾	200 ⁽⁴⁾ / 200 ⁽⁴⁾	315 ⁽⁴⁾ / 315 ⁽⁴⁾	315 ⁽⁴⁾ / 400 ⁽⁴⁾	315 ⁽⁴⁾ / 400 ⁽⁴⁾	500 ⁽⁴⁾ / 500 ⁽⁴⁾	800 ⁽⁴⁾ / 800 ⁽⁴⁾

Operational power in AC-23 (kW)⁽¹⁾⁽⁵⁾

At 415 VAC without AC pre-break ⁽¹⁾	63 / 63	80 / 80	100 / 100	132 / 132	160 / 160	220 / 220	280 / 280	280 / 280	450 / 450
--	---------	---------	-----------	-----------	-----------	-----------	-----------	-----------	-----------

Reactive power (kvar)

At 400 VAC (kvar) ⁽⁵⁾	55	75	90	115	145	185	230	290	365
----------------------------------	----	----	----	-----	-----	-----	-----	-----	-----

gG DIN fuse protected short-circuit withstand (kA rms prospective)⁽⁶⁾

Prospective short-circuit current (kA rms)	100	100	80	50	100	100	100	70	50
Associated fuse rating (A)	125	160	200	250	315	400	500	630	800

Circuit breaker protected short-circuit withstand with any circuit breaker that ensures tripping in less than 0.3s

Rated short-time withstand current 0.3s. I_{sw} (kA rms)	15	15	17	17	25	25	25	25	50
--	----	----	----	----	----	----	----	----	----

Short-circuit operation (switch only)

Rated short-time withstand current I_{sw} 1s (kA rms)	7	7	9	9	13	13	13	13	26
Rated peak withstand current in I_{cc} (kA peak) ⁽⁶⁾⁽⁷⁾	20	20	30	30	45	45	45	45	55

Connection

Minimum Cu cable cross-section (mm ²)	35	50	70	95	150	185	240	2 x 150	2 x 185
Minimum Cu busbar cross-section (mm ²)								2 x 30 x 5	2 x 40 x 5
Maximum Cu cable cross-section (mm ²)	50	95	95	150	240	240	240	2 x 300	2 x 300
Maximum Cu busbar width (mm)	25	25	32	32	40	40	40	50	63
Tightening torque min/max (Nm)	9 / -	9 / -	20 / -	20 / -	20 / -	20 / -	20 / -	40 / 45	40 / 45

Mechanical characteristics

Durability (number of operating cycles)	10000	10000	10000	10000	10000	10000	10000	10000	3000
Operating effort (Nm)	6.5	6.5	10	10	14.5	14.5	14.5	14.5	37
Weight of a 3-pole device (kg)	1	1.5	2	2	3.5	3.5	3.5	3.5	8
Weight of a 4-pole device (kg)	1.5	1.5	2	2	4	4	4.5	4.5	10

(1) Category with index A = frequent operation - Category with index B = infrequent operation.

(2) With terminal shrouds or phase barrier.

(3) 3-pole device with 2 poles in series for the '+' and 1 pole for the '-'.
(4) 4-pole device with 2 poles in series per polarity.

(5) The power value is given for information only, the current values vary from one manufacturer to another.

(6) For a rated operational voltage $U_n = 415$ VAC.

(7) Coordination tables with circuit breaker: please consult us.

SIRCO characteristics according to IEC 60947-3

1000 to 5000 A

Thermal current I_{th} at 40°C	1000 A	CD 1250 A	1250 A	1600 A	1800 A	2000 A	2500 A	3200 A	4000 A	5000 A
Frame size	B6	B6	B7	B7	B7	B8	B8	B8	B9	B9
Rated insulation voltage U_i (V)	1000	1000	1000	1000	1000	1000	1000	1000	1000	1000
Rated impulse withstand voltage U_{imp} (kV)	12	12	12	12	12	12	12	12	12	12

Rated operational currents I_e (A)

Rated voltage	Utilisation category	A/B ⁽¹⁾	A/B ⁽¹⁾	A/B ⁽¹⁾	A/B ⁽¹⁾	A/B ⁽¹⁾	A/B ⁽¹⁾	A/B ⁽¹⁾	A/B ⁽¹⁾	A/B ⁽¹⁾	A/B ⁽¹⁾
415 VAC	AC-20 A / AC-20 B	1000 / 1000	1250 / 1250	1250 / 1250	1600 / 1600	1800 / 1800	2000 / 2000	2500 / 2500	3200 / 3200	4000 / 4000	5000 / 5000
415 VAC	AC-21 A / AC-21 B	1000 / 1000	1250 / 1250	1250 / 1250	1600 / 1600	1800 / 1800	2000 / 2000	2500 / 2500	3200 / 3200	4000 / 4000	5000 / 5000
415 VAC	AC-22 A / AC-22 B	1000 / 1000	1250 / 1250	1250 / 1250	1600 / 1600	1800 / 1800	2000 / 2000	2500 / 2500	2500 / 3200	2500 / 3200	2500 / 3200
415 VAC	AC-23 A / AC-23 B	1000 / 1000	1250 / 1250	1250 / 1250	1250 / 1250	1250 / 1250	1600 / 1600	1600 / 1600	1600 / 1600	1800 / 2000	1800 / 2000
220 VDC	DC-20 A / DC-20 B	1000 / 1000	1250 / 1250	1250 / 1250	1600 / 1600	1800 / 1800	2000 / 2000	2000 / 2500	3200 / 3200	4000 / 4000	5000 / 5000
220 VDC	DC-21 A / DC-21 B	1000 / 1000	1250 / 1250	1250 / 1250	1250 / 1600	1250 / 1600	2000 / 2000	2000 / 2500	2500 / 3200	2500 / 3200	2500 / 3200
220 VDC	DC-22 A / DC-22 B	1000 / 1000	1250 / 1250	1250 / 1250	1250 / 1250	1250 / 1250	1250 / 1600	1250 / 1600	1250 / 1600	1800 / 2000	1800 / 2000
220 VDC	DC-23 A / DC-23 B	1000 / 1000	1250 / 1250	1250 / 1250	1250 / 1250	1250 / 1250	1250 / 1250	1250 / 1250	1250 / 1250	1250 / 1600	1250 / 1600
440 VDC	DC-20 A / DC-20 B	1000 / 1000	1250 / 1250	1250 / 1250	1600 / 1600	1800 / 1800	2000 / 2000	2500 / 2500	3200 / 3200	4000 / 4000	5000 / 5000
440 VDC	DC-21 A / DC-21 B	1000 ⁽⁴⁾ / 1000 ⁽⁴⁾	1250 ⁽⁴⁾ / 1250 ⁽⁴⁾	1250 ⁽⁴⁾ / 1250 ⁽⁴⁾	1250 ⁽⁴⁾ / 1600 ⁽⁴⁾	1250 ⁽⁴⁾ / 1600 ⁽⁴⁾	2000 ⁽⁴⁾ / 2000 ⁽⁴⁾	2000 ⁽⁴⁾ / 2500 ⁽⁴⁾	2500 ⁽⁴⁾ / 3200 ⁽⁴⁾	3200 ⁽⁴⁾ / 4000 ⁽⁴⁾	3200 ⁽⁴⁾ / 5000 ⁽⁴⁾
440 VDC	DC-22 A / DC-22 B	1000 ⁽⁴⁾ / 1000 ⁽⁴⁾	1250 ⁽⁴⁾ / 1250 ⁽⁴⁾	1250 ⁽⁴⁾ / 1250 ⁽⁴⁾	1250 ⁽⁴⁾ / 1250 ⁽⁴⁾	1250 ⁽⁴⁾ / 1250 ⁽⁴⁾	1250 ⁽⁴⁾ / 1250 ⁽⁴⁾	1250 ⁽⁴⁾ / 1250 ⁽⁴⁾	1250 ⁽⁴⁾ / 1250 ⁽⁴⁾	1600 ⁽⁴⁾ / 1800 ⁽⁴⁾	1600 ⁽⁴⁾ / 1800 ⁽⁴⁾
440 VDC	DC-23 A / DC-23 B	1000 ⁽⁴⁾ / 1000 ⁽⁴⁾	1250 ⁽⁴⁾ / 1250 ⁽⁴⁾	1250 ⁽⁴⁾ / 1250 ⁽⁴⁾	1250 ⁽⁴⁾ / 1250 ⁽⁴⁾	1250 ⁽⁴⁾ / 1250 ⁽⁴⁾	1250 ⁽⁴⁾ / 1250 ⁽⁴⁾	1250 ⁽⁴⁾ / 1250 ⁽⁴⁾	1250 ⁽⁴⁾ / 1250 ⁽⁴⁾	1250 ⁽⁴⁾ / 1250 ⁽⁴⁾	1250 ⁽⁴⁾ / 1250 ⁽⁴⁾
500 VDC	DC-20 A / DC-20 B	1000 / 1000	1250 / 1250	1250 / 1250	1600 / 1600	1800 / 1800	2000 / 2000	2500 / 2500	3250 / 3250	4000 / 4000	5000 / 5000
500 VDC	DC-21 A / DC-21 B	1000 ⁽⁴⁾ / 1000 ⁽⁴⁾	1250 ⁽⁴⁾ / 1250 ⁽⁴⁾	1250 ⁽⁴⁾ / 1250 ⁽⁴⁾	1250 ⁽⁴⁾ / 1600 ⁽⁴⁾	1250 ⁽⁴⁾ / 1600 ⁽⁴⁾	1250 ⁽⁴⁾ / 1250 ⁽⁴⁾	1250 ⁽⁴⁾ / 1250 ⁽⁴⁾	1250 ⁽⁴⁾ / 1250 ⁽⁴⁾	1600 ⁽⁴⁾ / 1800 ⁽⁴⁾	1600 ⁽⁴⁾ / 1800 ⁽⁴⁾
500 VDC	DC-22 A / DC-22 B	1000 ⁽⁴⁾ / 1000 ⁽⁴⁾	1250 ⁽⁴⁾ / 1250 ⁽⁴⁾	1250 ⁽⁴⁾ / 1250 ⁽⁴⁾	1250 ⁽⁴⁾ / 1250 ⁽⁴⁾	1250 ⁽⁴⁾ / 1250 ⁽⁴⁾	1250 ⁽⁴⁾ / 1250 ⁽⁴⁾	1250 ⁽⁴⁾ / 1250 ⁽⁴⁾	1250 ⁽⁴⁾ / 1250 ⁽⁴⁾	1250 ⁽⁴⁾ / 1600 ⁽⁴⁾	1250 ⁽⁴⁾ / 1600 ⁽⁴⁾
500 VDC	DC-23 A / DC-23 B	1000 ⁽⁴⁾ / 1000 ⁽⁴⁾	1250 ⁽⁴⁾ / 1250 ⁽⁴⁾	1250 ⁽⁴⁾ / 1250 ⁽⁴⁾	1250 ⁽⁴⁾ / 1250 ⁽⁴⁾	1250 ⁽⁴⁾ / 1250 ⁽⁴⁾	1000 ⁽⁴⁾ / 1000 ⁽⁴⁾	1000 ⁽⁴⁾ / 1000 ⁽⁴⁾	1000 ⁽⁴⁾ / 1000 ⁽⁴⁾	1000 ⁽⁴⁾ / 1000 ⁽⁴⁾	1000 ⁽⁴⁾ / 1000 ⁽⁴⁾

Operational power in AC-23 (kW)⁽¹⁾⁽⁵⁾

At 415 VAC without AC pre-break ⁽¹⁾	560 / 560	710 / 710	710 / 710	710 / 710	710 / 710	710 / 710	710 / 710	710 / 710	710 / 710	710 / 710	710 / 710
--	-----------	-----------	-----------	-----------	-----------	-----------	-----------	-----------	-----------	-----------	-----------

Reactive power (kvar)

At 400 VAC (kvar) ⁽⁵⁾	460										
----------------------------------	-----	--	--	--	--	--	--	--	--	--	--

gG DIN fuse protected short-circuit withstand (kA rms prospective)⁽⁶⁾

Prospective short-circuit current (kA rms)	100	100	100	100	100	100	100				
Associated fuse rating (A)	1000	1250	1250	2 x 800	2 x 800	2 x 1000	2 x 1250				

Circuit breaker protected short-circuit withstand with any circuit breaker that ensures tripping in less than 0.3s

Rated short-time withstand current 0.3s. I_{cw} (kA rms)	65	65	100	100	100	100	100	100			
--	----	----	-----	-----	-----	-----	-----	-----	--	--	--

Short-circuit operation (switch only)

Rated short-time withstand current I_{cw} 1s (kA rms)	35	35	50	50	50	50	50	50	75	75	
Rated peak withstand current I_{cc} (kA peak) ⁽⁶⁾⁽⁷⁾	80	80	110	110	110	110	110	110	120	165	165

Connection

Minimum Cu cable cross-section (mm ²)	2 x 240										
Minimum Cu busbar cross-section (mm ²)	2 x 50 x 5	2 x 60 x 5	2 x 60 x 5	2 x 80 x 5	3 x 100 x 5	3 x 100 x 5	4 x 100 x 5	4 x 100 x 5	2 x 200 x 10	2 x 200 x 10	
Maximum Cu cable cross-section (mm ²)	4 x 185	4 x 185	4 x 185	6 x 185	6 x 185						
Maximum Cu busbar width (mm)	63	63	100	100	100	100	100	100			
Tightening torque min/max (Nm)	40/45	40/45	40/45	40/45	40/45	40/45	40/45	40/-	40/-	40/-	40/-

Mechanical characteristics

Durability (number of operating cycles)	3000	3000	4000	4000	4000	3000	3000	3000	2000	2000	
Operating effort (Nm)	37	37	56	56	56	75	75	75	105	105	
Weight of a 3-pole device (kg)	8	8	12	12	12	22	22	22	45	45	
Weight of a 4-pole device (kg)	10	10	15	15	15	25	25	25	50	50	

(1) Category with index A = frequent operation - Category with index B = infrequent operation.

(2) With terminal shrouds or phase barrier.

(3) 3-pole device with 2 poles in series for the '+' and 1 pole for the '-'.

(4) 4-pole device with 2 poles in series per polarity.

(5) The power value is given for information only, the current values vary from one manufacturer to another.

(6) For a rated operational voltage $U_o = 415$ VAC.

(7) Coordination tables with circuit breaker: please consult us.

SIRCO AC characteristics according to IEC 60947-3

200 to 630 A

Thermal current I_{th} at 40°C	200 A	250 A	315 A	400 A	500 A	CD 630 A	630 A
Rated insulation voltage U_i (V)	1000	1000	1000	1000	1000	1000	1000
Rated impulse withstand voltage U_{imp} (kV)	12	12	12	12	12	12	12
Rated operational currents I_e (A)							
Rated voltage	Utilisation category	A/B ⁽¹⁾	A/B ⁽¹⁾	A/B ⁽¹⁾	A/B ⁽¹⁾	A/B ⁽¹⁾	A/B ⁽¹⁾
500 VAC	AC-20 A / AC-20 B	200/200	250/250	315/315	400/400	500/500	630/630
500 VAC	AC-21 A / AC-21 B	200/200	250/250	315/315	400/400	500/500	630/630
500 VAC	AC-22 A / AC-22 B	200/200	250/250	315/315	400/400	500/500	630/630
500 VAC	AC-23 A / AC-23 B	200/200	250/250	315/315	400/400	500/500	630/630
690 VAC	AC-20 A / AC-20 B	200/200	250/250	315/315	400/400	500/500	630/630
690 VAC	AC-21 A / AC-21 B	200/200	250/250	315/315	400 ⁽²⁾ /400 ⁽²⁾	500 ⁽²⁾ /500 ⁽²⁾	630 ⁽²⁾ /630 ⁽²⁾
690 VAC	AC-22 A / AC-22 B	200/200	250/250	315/315	400 ⁽²⁾ /400 ⁽²⁾	500 ⁽²⁾ /500 ⁽²⁾	630 ⁽²⁾ /630 ⁽²⁾
690 VAC	AC-23 A / AC-23 B	200/200	250/250	315/315	400 ⁽²⁾ /400 ⁽²⁾	500 ⁽²⁾ /500 ⁽²⁾	630 ⁽²⁾ /630 ⁽²⁾
Operational power in AC-23 A (kW) ⁽³⁾							
At 690 VAC without pre-break AC	160	220	250	400	500	500	630
Reactive power (kvar)							
At 690 VAC (kvar)	160	190	250	325	400	400	450
Fuse protected short-circuit withstand (kA rms prospective) at 690 VAC ⁽⁴⁾							
Prospective short-circuit current (kA rms)	50	50	50	50	50	50	50
Associated fuse rating (A)	200	250	315	400	500	630	630
Circuit breaker protected short-circuit withstand with any circuit breaker that ensures tripping in less than 0.3s at 690 VAC							
Rated short-time withstand current 0.3s. I_{cw} (kA rms)	15	15	15	15	15	15	28
Short-circuit capacity (without protection)							
Rated short-time withstand current 1s. I_{cw} (kA rms)	8	8	8	11	11	11	20
Rated short-circuit making capacity without fuses I_{cm} (kA peak)	22	22	22	22	22	22	40
Connection							
Maximum Cu cable cross-section (mm ²)	70	70	70	185	240	2 x 150	2 x 185
Minimum Cu busbar cross-section (mm ²)						2 x 30 x 5	2 x 40 x 5
Maximum Cu cable cross-section (mm ²)	95	95	95	240	240	2 x 300	2 x 300
Maximum Cu busbar width (mm)	32	32	32	40	40	63	63
Tightening torque min/max (Nm)	20/-	20/-	20/-	20/-	20/-	20/-	40/45
Mechanical characteristics							
Durability (number of operating cycles)	10000	10000	10000	5000	5000	5000	4000
Operating effort (Nm)	10	10	10	14.5	14.5	14.5	48
Weight of a 3 pole device (kg)	2	2	2	3.5	3.5	3.5	8
Weight of a 4 pole device (kg)	2	2	2	4	4	4	10

(1) Category with index A = frequent operation - Category with index B = infrequent operation.

(2) With terminal shrouds or phase barrier.

(3) The power value is given for information only, the current values vary from one manufacturer to another.

(6) For a rated operational voltage $U_e = 690$ VAC.

SIRCO AC characteristics according to IEC 60947-3

800 to 4000 A

Thermal current I_{th} at 40°C		800 A	1000A	CD 1250 A	1250 A	1600 A	2000 A	4000 A
Rated insulation voltage U_i (V)		1000	1000	1000	1000	1000	1000	1000
Rated impulse withstand voltage U_{imp} (kV)		12	12	12	12	12	12	12
Rated operational currents I_e (A)								
Rated voltage	Utilisation category	A/B ⁽¹⁾	A/B ⁽¹⁾	A/B ⁽¹⁾	A/B ⁽¹⁾	A/B ⁽¹⁾	A/B ⁽¹⁾	A/B ⁽¹⁾
500 VAC	AC-20 A / AC-20 B	800/800	1000/1000	1250/1250	1250/1250	1600/1600	2000/2000	4000/4000
500 VAC	AC-21 A / AC-21 B	800/800	1000/1000	1250/1250	1250/1250	1600/1600	2000/2000	-/3200
500 VAC	AC-22 A / AC-22 B	800/800	1000/1000	1250/1250	1250/1250	1600/1600	2000/2000	-
500 VAC	AC-23 A / AC-23 B	800/800	1000/1000	1250/1250	1250/1250	1250/1250	1600/1600	-
690 VAC	AC-20 A / AC-20 B	800/800	1000/1000	1250/1250	1250/1250	1600/1600	2000/2000	4000/4000
690 VAC	AC-21 A / AC-21 B	800/800	1000/1000	1250/1250	1250/1250	1600/1600	2000/2000	-/3200
690 VAC	AC-22 A / AC-22 B	800/800	1000/1000	1250/1250	1250/1250	1600/1600	2000/2000	-/-
690 VAC	AC-23 A / AC-23 B	800/800	1000/1000	1250/1250	1250/1250	1250/1250	1600/1600	-/-
Operational power in AC-23 A (kW) ⁽³⁾								
At 690 VAC without pre-break AC		900	900	-	-	-	-	-
Reactive power (kvar)								
At 690 VAC (kvar)		550	750	950	950	-	-	-
Fuse protected short-circuit withstand (kA rms prospective) at 690 VAC ⁽⁴⁾								
Prospective short-circuit current (kA rms)		50	50	50	50	50	-	-
Associated fuse rating (A)		800	800	2 x 500	1250	2 x 800	-	-
Circuit breaker protected short-circuit withstand with any circuit breaker that ensures tripping in less than 0.3s at 690 VAC								
Rated short-time withstand current 0.3s. I_{cw} (kA rms)		28	55	55	53	53	53	53
Short-circuit capacity (without protection) at 690 VDC								
Rated short-time withstand current 1s. I_{cw} (kA rms)		20	30	30	35	35	35	35
Rated short-circuit making capacity without fuses I_{cm} (prospective kA peak)		40	80	80	75	75	75	75
Connection								
Maximum Cu cable cross-section (mm ²)		2 x 185	2 x 240					
Minimum Cu busbar cross-section (mm ²)		2 x 40 x 5	2 x 50 x 5	2 x 60 x 5	2 x 60 x 5	2 x 80 x 5	3 x 100 x 5	1 x 100 x 5
Maximum Cu cable cross-section (mm ²)		2 x 300	4 x 185	4 x 185	4 x 185	6 x 185		
Maximum Cu busbar width (mm)		63	63	63	100	100	100	
Tightening torque min/max (Nm)		40/45	40/45	40/45	40	40	40	40
Mechanical characteristics								
Durability (number of operating cycles)		4000	4000	3000	4000	4000	3000	2000
Operating effort (Nm)		48	48	48	55	55	75	100
Weight of a 3 pole device (kg)		8	8	8	12	12	22	45
Weight of a 4 pole device (kg)		10	10	10	15	15	25	50

(1) Category with index A = frequent operation - Category with index B = infrequent operation.

(2) With terminal shrouds or phase barrier.

(3) The power value is given for information only, the current values vary from one manufacturer to another.

(6) For a rated operational voltage $U_e = 690$ VAC.

SIRCO

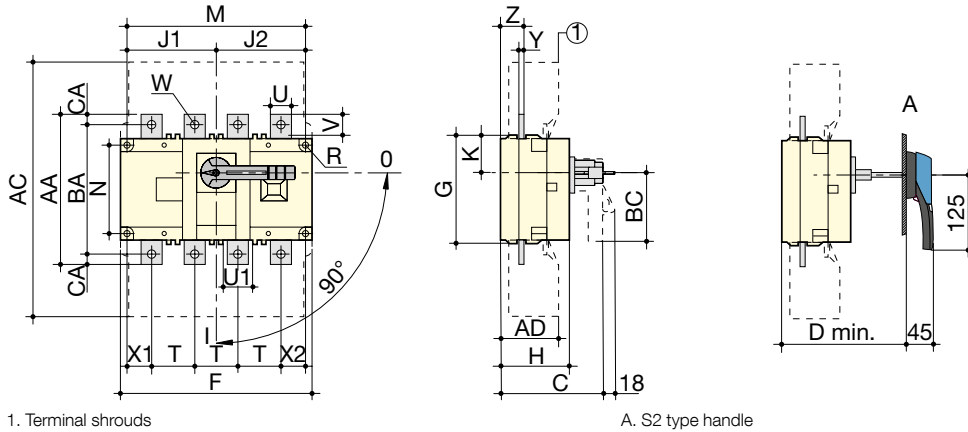
Load break switches for power distribution
from 125 to 5000 A

Dimensions - Front operation

SIRCO 125 to 630 A and SIRCO AC 200 to CD 630 A - B3 to B5

Direct front operation

External front operation



1. Terminal shrouds

A. S2 type handle

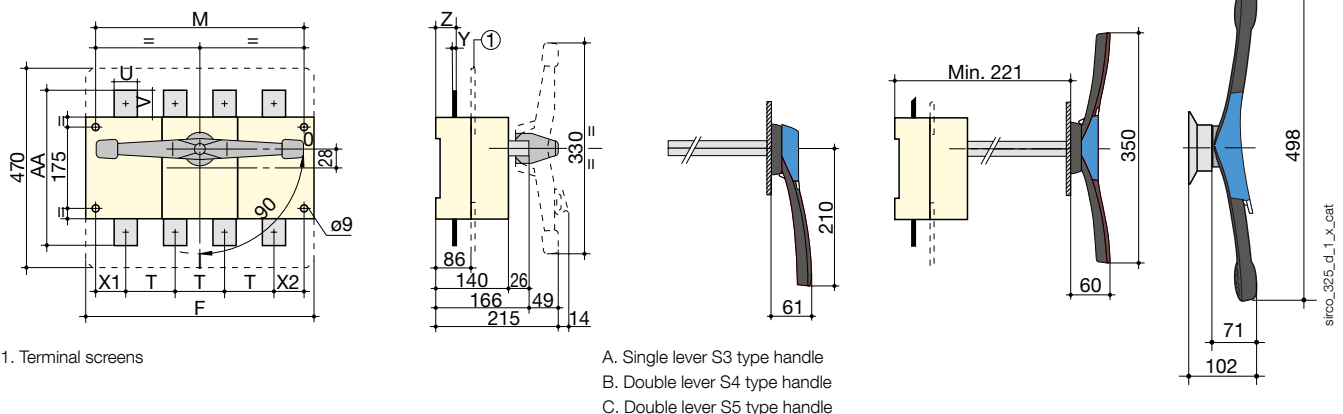
sirco_198_L1_x_cat

Rating (A) / Frame size		Overall dimensions		Terminal shrouds		Switch body							Switch mounting				Connection																		
SIRCO	SIRCO AC	C	D min	AC	AD	F 3p.	F 4p.	G	H	J1 3p.	J1 4p.	J2	K	BC	M 3p.	M 4p.	N	R	T	U	U1	V	W	X1 3p.	X1 4p.	X2	Y	Z	AA	BA	CA				
125...160/ B3		115	125	235	50	140	170	93	65	45	75	75	31.5	80	120	150	65	5.5	36	20	20.5	25	9	28	22	20	3.5	20.5	135	115	10				
200...250/ B4	200...250/ B4			280	60	180	230	108	75	55	105	105	34	115	160	210	80	5.5	50		20	25.5	21.5	11	33	33	27	3.5	22.5	160	130	15			
315...400/ B5	315 / B4	160	165	401	89	230	290	170	110	75	135	135	55	115	210	270	140	7	65		32	45.5	29	11			42.5	37.5	37.5	5	36	235	205	15	
500 / B5	-																																		
630 / B5	CD 630 / B5																																		

SIRCO 800 to 1800 A and SIRCO AC 630 to 1600 A - B6 to B7

Direct front operation

External front operation



1. Terminal screens

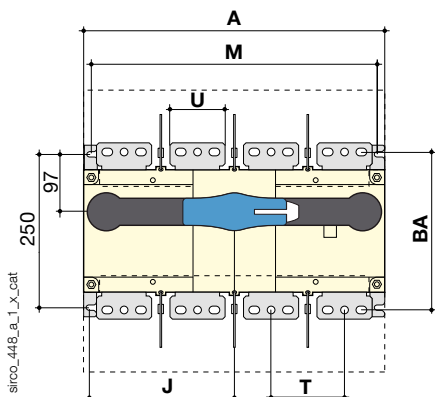
A. Single lever S3 type handle
B. Double lever S4 type handle
C. Double lever S5 type handle

sirco_325_d_1_x_cat

Rating (A) / Frame size		Switch body		Switch mounting		Connection							
SIRCO	SIRCO AC	F 3p.	F 4p.	M 3p.	M 4p.	T	U	V	Y	X1	X2	Z	AA
800 ... 1000 / B6	630 ... 1000 / B6	280	360	255	335	80	50	60.5	7	47.5	47.5	46.5	321
CD 1250 / B6	CD 1250 / B6						60	65					330
1250 ... 1800 / B7	1250 ... 1600 / B7	372	492	347	467	120	90	44	8	53.5	53.5	47.5	288

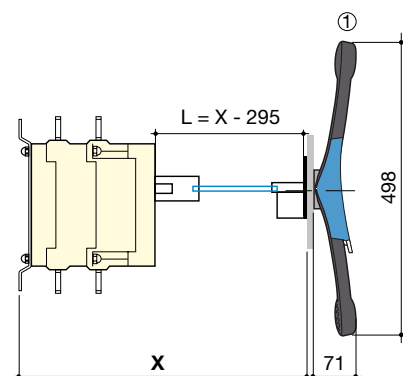
SIRCO 2000 to 3200 A and SIRCO AC 2000 A - B8

Direct front operation



sirco_448_a_1_x_cat

External front operation

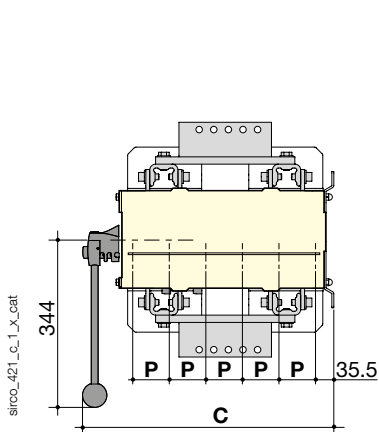


1. Double lever S5 type handle

Rating (A) / Frame size		Overall dimensions		Switch body		Switch mounting		Connection			
SIRCO	SIRCO AC	A 3p.	A 4p.	J 3p.	J 4p.	M 3p.	M 4p.	T	U	Y	BA
2000 ... 3200 / B8	2000 / B8	372	492	173.5	233.5	347	367	120	90	8	258

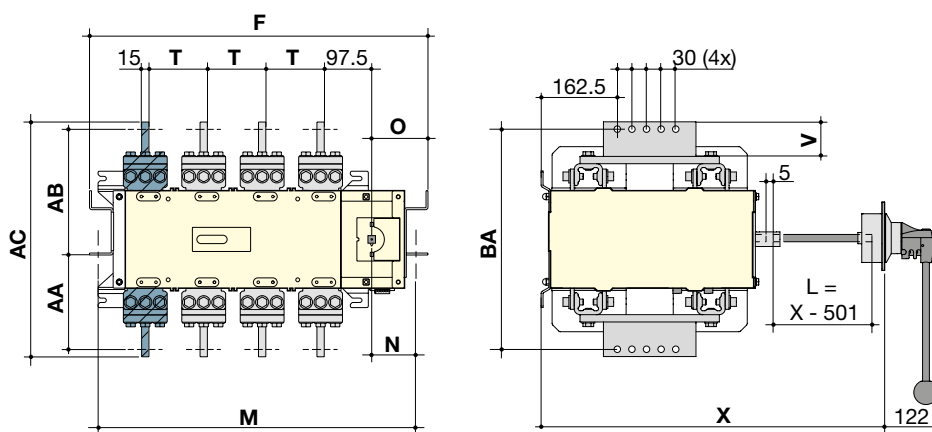
SIRCO 4000 to 5000 A and SIRCO AC 4000 A - B9

Direct front operation



sirco_421_c_1_x_cat

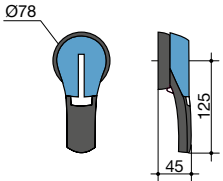
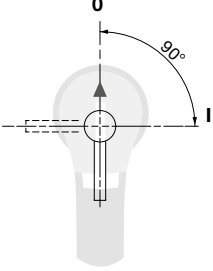
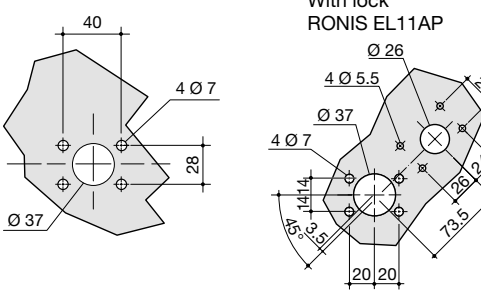
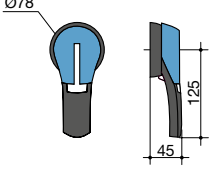
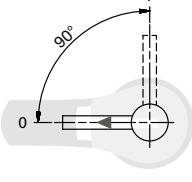
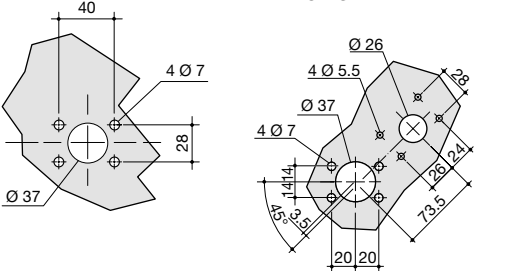
External front operation



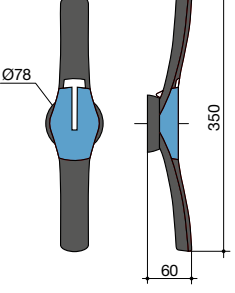
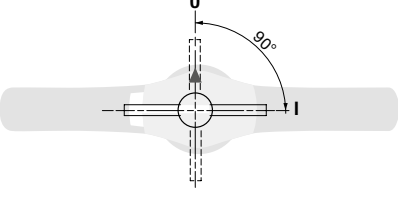
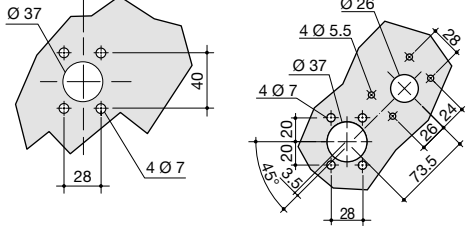
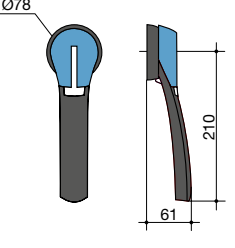
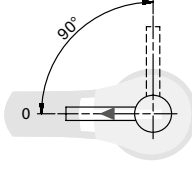
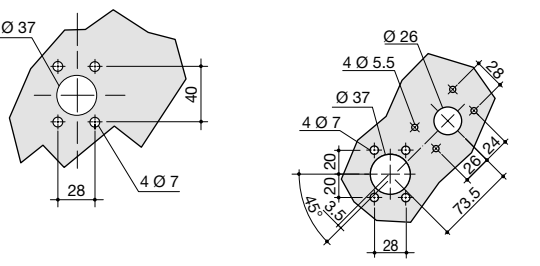
Rating (A) / Frame size		Overall dimensions	Switch body		Switch mounting					Connection					
SIRCO	SIRCO AC	C	F 3p.	F 4p.	M 3p.	M 4p.	N	O	P	T	V	AA	AB	AC	BA
4000 ... 5000 / B9	4000 / B9	514	695	695	660	660	98	115.5	75	120	86	160	292	482	452

Dimensions for external handles

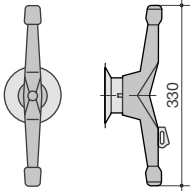
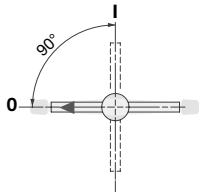
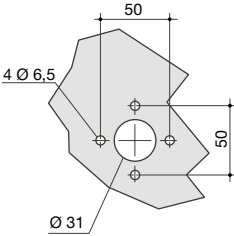
B3 to B5

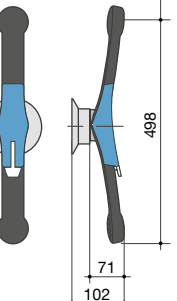
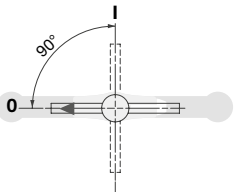
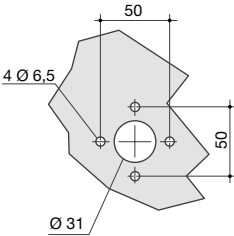
Handle type	Front operation Direction of operation	Door drilling
S2 type 		
S2 type 	Side operation Right side operation 	

B6 - B7

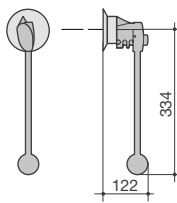
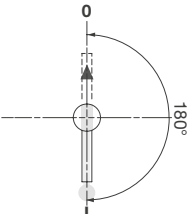
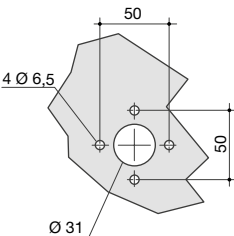
Handle type	Front operation Direction of operation	Door drilling
S4 type 		
S3 type 	Side operation Right side operation 	

B7 - B8

Handle type	Front operation Direction of operation	Door drilling
V2 Type 		

Handle type	Front operation Direction of operation	Door drilling
S5 type with V Escutcheon 		

B9

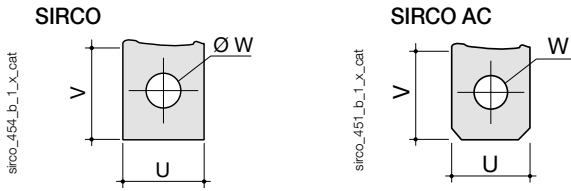
Handle type	Front operation Direction of operation	Door drilling
V0 type 		

SIRCO

Load break switches for power distribution
from 125 to 5000 A

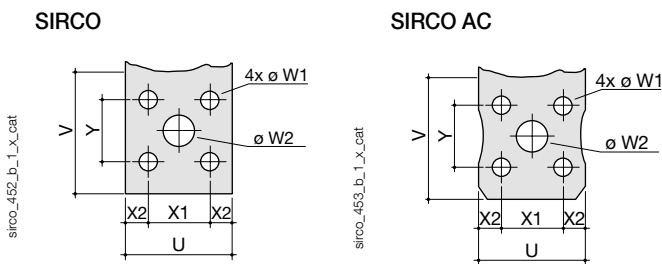
Connection terminal

SIRCO 125 to 630 A and SIRCO AC 200 to CD 630 A



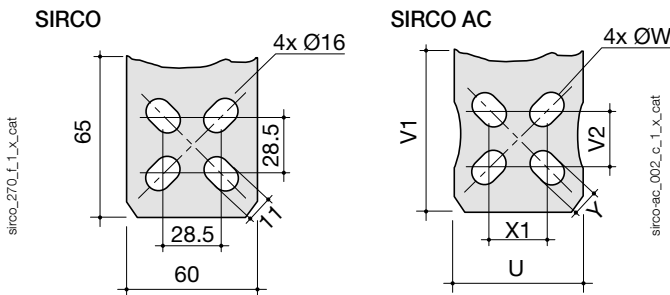
Rating (A)				
SIRCO	SIRCO AC	U	V	W
125 ... 160		20	25	9
200 ... 250	200 ... 250	25	21.5	11
	315	35		
315 ... 400	400 ... 500	32	29	13
500		45	41.5	
630	CD 630			

SIRCO 800 to 1000 A and SIRCO AC 630 to 1000 A



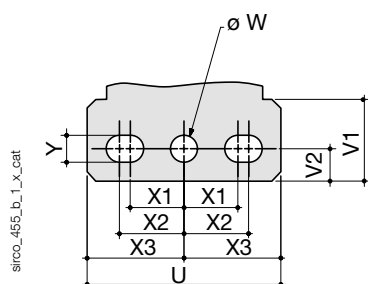
Rating (A)								
SIRCO	SIRCO AC	U	V	W1	W2	X1	X2	Y
800 ... 1000	630 ... 1000	50	60.5	9	15	33	8.5	33

SIRCO and SIRCO AC CD 1250 A



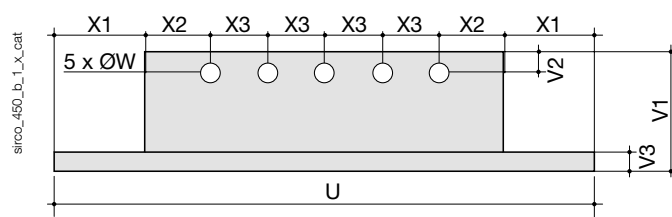
Rating (A)							
SIRCO	SIRCO AC	U	V1	V2	W	X1	Y
CD 1250 A	CD 1250 A	60	65	28.5	16	28.5	11

SIRCO 1250 to 3200 A and SIRCO AC 1250 to 1600 A



Rating (A)		U	V1	V2	W	X1	X2	X3	Y
SIRCO	SIRCO AC								
1250 ... 3200	1250 ... 1600	90	35.8	15	12.5	25	30	45	12.5

SIRCO 4000 to 5000 A and SIRCO AC 4000 A



Rating (A)		U	W	X1	X2	X3	V1	V2	V3
SIRCO	SIRCO AC								
4000 ... 5000	4000	286	13	48	35	30	86	15	15